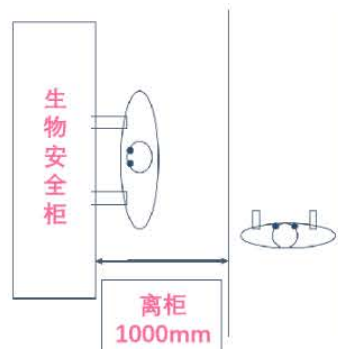


# 生物安全柜使用准则

NO. 016

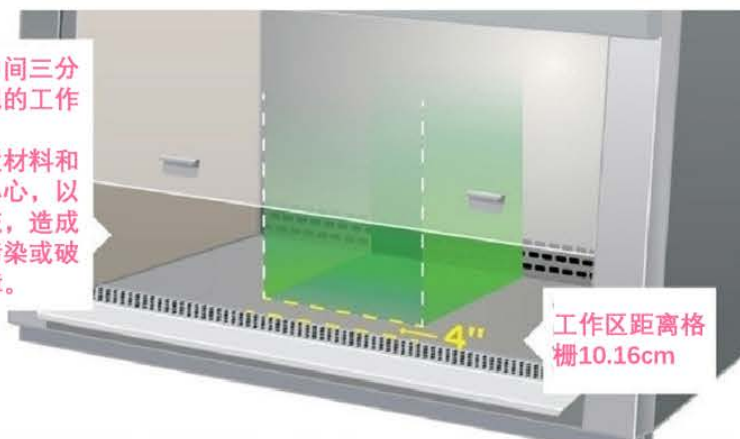


- 工作前让风机运行10~15 min，关闭前运行5~10 min。
- 尽量减少对气幕的干扰。避免快速动作，减少柜前人员走动（人员走动至少离柜前1000 mm）。以可控和稳定的方式移动。
- 在生物安全柜内工作时，始终将视窗调至正确高度（根据《生物安全柜》（GB 41918-2022），I、II级生物安全柜视窗操作口高度160mm~250mm）。
- 紫外线杀菌灯不能替代良好的清洁。使用后用消毒剂对工作区进行消毒。
- 生物安全柜内尽量不要用易燃易爆材料。可燃蒸汽可进入鼓风机电机线圈，火花可引起爆炸。



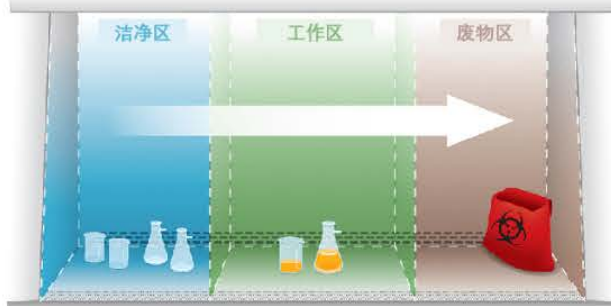
- 清洁生物安全柜时,使用沾有酒精的纸巾或者酒精喷壶,尽可能减少安全柜中循环通风挥发溶剂的浓度。
- 紫外灯亮时,请勿在柜内工作。在打开紫外线灯之前,请确保前窗完全关闭,以保护用户免受紫外线辐射。
- 穿戴完备的个人防护用品(手套、实验服、口罩、帽子、鞋套、护目镜等)。
- 使用挥发性有毒化学品时,必须使用带排气管的柜子。
- 生物安全柜年检需确保柜内气流流速在安全范围内,泄漏率合格。
- 尽可能深入工作区操作,避免堵塞前后格栅(距前格栅至少10.16 cm工作,利用手枕)。当格栅堵塞时,可能会发生局部密封故障,这可能会影响操作人员或污染产品。

工作面的中间三分之一是理想的工作区域。  
在柜内放置材料和设备时要小心,以免干扰气流,造成紊流交叉污染或破坏空气屏障。



工作区距离格栅10.16cm

- 将移液枪头等生物废物装入柜内的医疗废物垃圾袋,以防止污染物扩散。
- 始终以“从干净到脏”的方式工作。洁净区在一侧,工作区在中间,废物区在另一侧。
- 不要在柜内放置不必要的物品。将柜内的物品取出前一定要消毒。
- 清洁生物安全柜时不建议使用漂白剂,会导致生锈。
- 请勿在柜体上放置大型或多个磁铁。强磁铁不能附着在生物安全柜上,因为它会破坏窗扇传感器。



- 强烈建议不要在生物安全柜内使用明火。热空气会扰乱气流,造成污染、过滤器损坏,甚至爆炸。
- 不要在柜内的漏电保护插座上插入大电流设备。
- 不要使机柜排风口离天花板或排风扩散器太近。

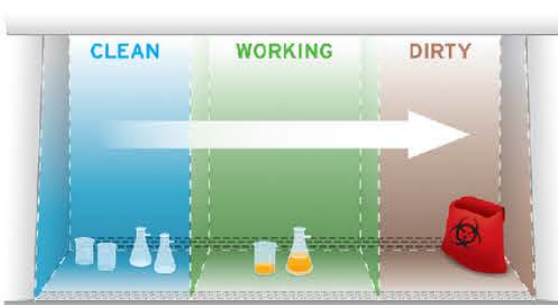
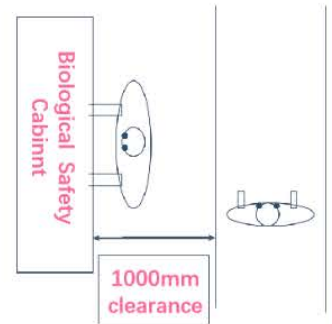


# Guidelines for Use of Biosafety Cabinets (BSC)

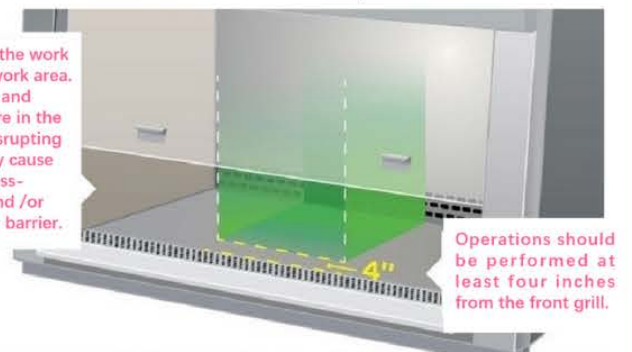
NO. 016



- Allow the blower to run for 10~15 min before work, 5~10 min before turning off.
- Minimize disturbances to airflow curtain. Avoid rapid movements, minimize foot traffic around hood (Any pedestrian traffic routes should be at least 1000 mm from the front of the BSC). Move in a controlled and steady manner.
- Always set the sash to correct opening height (160mm~250mm for Class I, II BSC) when working in the cabinet.
- UV lamps are not substitute for good cleaning practice. Decontaminate work zone with sanitizer after use.
- DO NOT use for flammable or explosive materials as far as possible. The combustible vapor could enter the blower motor coil, and spark could cause explosion.
- When cleaning the BSC, use an alcohol-soaked towel or alcohol spray bottle to minimize the concentration of volatile solvents in the circulating air in the BSC.
- DO NOT work in the cabinet when the UV light is on. Before turning on the UV light, always make sure that the sash is fully closed to protect the user from UV radiation.
- Wear complete Personal Protective Equipment (gloves, lab coats, masks, medical caps, shoe covers, goggles, etc.).
- The cabinet with exhaust duct is required when using vaporizing toxic chemicals.
- Annual BSC Certification ensures cabinet airflow is within safe limits and the leakage rate is qualified.
- Work as deep into the work zone as possible to avoid blocking of the front or back grille (perform work at least 4 inches in front of front grille and use elbow rest). When the grille is blocked, a localized containment failure can happen that may affect the operator or contaminate the samples.



The middle third of the work surface is the ideal work area. Place materials and equipment with care in the cabinet to avoid disrupting airflow, which may cause turbulence cross-contamination, and/or disruption of the air barrier.



- Dispose pipette tips and other biological waste into a medical waste garbage bag placed inside the cabinet, not outside, to prevent spreading contaminants.
- Always work "clean to dirty". Segregate sterile zone on one side, work area on middle, and waste zone on opposite side.
- DO NOT place unnecessary items inside the cabinet. Always disinfect items put into the cabinet before taking it out.
- NOT suggest to use bleach when cleaning the BSC, which can cause rust.
- DO NOT place large or multiple magnets on the BSC body. Strong magnets must not be attached to the BSC because it can disrupt the sash window sensor.
- It is strongly recommended not to use burners inside the cabinet. The hot air can disrupt the airflow causing contamination, filter damage, and even explosion.
- DO NOT plug high current equipment on the leakage protection socket inside the BSC.
- DO NOT make cabinet exhaust too close to ceiling or supply diffuser.

